

По вопросам продаж и поддержки обращайтесь:

Алматы (7273)495-231  
Ангарск (3955)60-70-56  
Архангельск (8182)63-90-72  
Астрахань (8512)99-46-04  
Барнаул (3852)73-04-60  
Белгород (4722)40-23-64  
Благовещенск (4162)22-76-07  
Брянск (4832)59-03-52  
Владивосток (423)249-28-31  
Владикавказ (8672)28-90-48  
Владимир (4922)49-43-18  
Волгоград (844)278-03-48  
Вологда (8172)26-41-59  
Воронеж (473)204-51-73  
Екатеринбург (343)384-55-89  
Иваново (4932)77-34-06  
Ижевск (3412)26-03-58  
Иркутск (395)279-98-46  
Казань (843)206-01-48

Калининград (4012)72-03-81  
Калуга (4842)92-23-67  
Кемерово (3842)65-04-62  
Киров (8332)68-02-04  
Коломна (4966)23-41-49  
Кострома (4942)77-07-48  
Краснодар (861)203-40-90  
Красноярск (391)204-63-61  
Курган (3522)50-90-47  
Курск (4712)77-13-04  
Липецк (4742)52-20-81  
Магнитогорск (3519)55-03-13  
Москва (495)268-04-70  
Мурманск (8152)59-64-93  
Набережные Челны (8552)20-53-41  
Нижний Новгород (831)429-08-12  
Новокузнецк (3843)20-46-81  
Новосибирск (383)227-86-73  
Ноябрьск(3496)41-32-12

Омск (3812)21-46-40  
Орел (4862)44-53-42  
Оренбург (3532)37-68-04  
Пенза (8412)22-31-16  
Пермь (342)205-81-47  
Петрозаводск (8142)55-98-37  
Псков (8112)59-10-37  
Ростов-на-Дону (863)308-18-15  
Рязань (4912)46-61-64  
Самара (846)206-03-16  
Санкт-Петербург (812)309-46-40  
Саранск (8342)22-96-24  
Саратов (845)249-38-78  
Севастополь (8692)22-31-93  
Симферополь (3652)67-13-56  
Смоленск (4812)29-41-54  
Сочи (862)225-72-31  
Ставрополь (8652)20-65-13  
Сургут (3462)77-98-35

Сыктывкар (8212)25-95-17  
Тамбов (4752)50-40-97  
Тверь (4822)63-31-35  
Тольятти (8482)63-91-07  
Томск (3822)98-41-53  
Тула (4872)33-79-87  
Тюмень (3452)66-21-18  
Улан-Удэ (3012)59-97-51  
Ульяновск (8422)24-23-59  
Уфа (347)229-48-12  
Хабаровск (4212)92-98-04  
Чебоксары (8352)28-53-07  
Челябинск (351)202-03-61  
Череповец (8202)49-02-64  
Чита (3022)38-34-83  
Якутск (4112)23-90-97  
Ярославль (4852)69-52-93

Россия +7(495)268-04-70

Казахстан +7(7172)727-132

Киргизия +996(312)96-26-47

<https://abbdrives.nt-rt.ru/> || [aei@nt-rt.ru](mailto:aei@nt-rt.ru)

# ПРИВОДЫ ДЛЯ СИСТЕМ ВОДОСНАБЖЕНИЯ И ВОДООТВЕДЕНИЯ

## Техническое описание на Преобразователь частоты для систем водоснабжения и водоотведения АСQ550-U1



# Technical Data

---

## Ratings (Supplement to ACQ550-U1 User's Manual)

---

**Note!** The ratings listed below are exceptions to the ratings listed in the ACQ550-U1 User's Manual.

---

### Ratings, 480 Volt Drives

Type Code	Valid up to 40°C (104 °F)				Frame Size
	Normal Use		Heavy-Duty Use		
	$I_{2N}$ A	$P_N$ HP	$I_{2hd}$ A	$P_{hd}$ HP	
-316A-4	316	250	240	200	R8
-368A-4	368	300	302	250	R8
-414A-4	414	350	368	300	R8
-486A-4	486	400	414	350	R8
-526A-4	526	450	477	400	R8
-602A-4	602	500	515	450	R8
-645A-4	645	550	590	500	R8

# Input Power Connections (Supplement to ACQ550-01/U1 User's Manual)

## Fuses

**Note!** Although fuses listed are similar in functional characteristics to fuses listed in the ACQ550-U1 User's Manual, physical characteristics may differ. Fuses from other manufacturers can be used if they meet the functional characteristics of those in these tables.

### 208/240 Volt, Fuses

208/240 Volt		Frame Size	Drive Input Fuse Ratings	
HP	Type Code <sup>1</sup>		Amps (600V)	Bussmann Type
1	ACQ550-Px-04A6-2	R1	15	KTK-R-15
1.5	ACQ550-Px-06A6-2	R1	15	KTK-R-15
2	ACQ550-Px-07A5-2	R1	15	KTK-R-15
3	ACQ550-Px-012A-2	R1	15	KTK-R-15
5	ACQ550-Px-017A-2	R1	30	KTK-R-30
7.5	ACQ550-Px-024A-2	R2	30	KTK-R-30
10	ACQ550-Px-031A-2	R2	60	JJS-60
15	ACQ550-Px-046A-2	R3	100	JJS-100
20	ACQ550-Px-059A-2	R3	100	JJS-100
25	ACQ550-Px-075A-2	R4	100	JJS-100
30	ACQ550-Px-088A-2	R4	200	170M1370
40	ACQ550-Px-114A-2	R4	200	170M1370
50	ACQ550-Px-143A-2	R6	200	170M1370
60	ACQ550-Px-178A-2	R6	315	170M1372
75	ACQ550-Px-221A-2	R6	315	170M1372
100	ACQ550-Px-248A-2	R6	315	170M1372

1. "Px" represents both PC and PD.

## 480 Volt, Fuses

480 Volt		Frame Size	Drive Input Fuse Ratings	
HP	Type Code <sup>1</sup>		Amps (600V)	Bussmann Type
1/1.5	ACQ550-Px-03A3-4	R1	15	KTK-R-15
2	ACQ550-Px-04A1-4	R1	15	KTK-R-15
3	ACQ550-Px-06A9-4	R1	15	KTK-R-15
5	ACQ550-Px-08A8-4	R1	15	KTK-R-15
7.5	ACQ550-Px-012A-4	R1	15	KTK-R-15
10	ACQ550-Px-015A-4	R2	30	KTK-R-30
15	ACQ550-Px-023A-4	R2	30	KTK-R-30
20	ACQ550-Px-031A-4	R3	60	JJS-60
25	ACQ550-Px-038A-4	R3	60	JJS-60
30	ACQ550-Px-045A-4	R3	100	JJS-100
30	ACQ550-Px-044A-4	R4	100	JJS-100
40	ACQ550-Px-059A-4	R4	100	JJS-100
50	ACQ550-Px-072A-4	R4	100	JJS-100
60	ACQ550-Px-078A-4	R4	100	JJS-100
75	ACQ550-Px-097A-4	R4	200	170M1370
60	ACQ550-Px-077A-4	R5	125	170M1368
75	ACQ550-Px-096A-4	R5	125	170M1368
100	ACQ550-Px-125A-4	R5	200	170M1370
100	ACQ550-Px-124A-4	R6	160	170M1369
125	ACQ550-Px-157A-4	R6	200	170M1370
150	ACQ550-Px180A-4	R6	315	170M1372
200	ACQ550-Px-246A-4	R6	315	170M1372
200	ACQ550-Px-245A-4	R7	400	JJS-400
250	ACQ550-Px-316A-4	R8	400	JJS-400
300	ACQ550-Px-368A-4	R8	400	JJS-400
350	ACQ550-Px-414A-4	R8	600	JJS-600
400	ACQ550-Px-486A-4	R8	600	JJS-600
450	ACQ550-Px-526A-4	R8	800	JJS-800
500	ACQ550-Px-602A-4	R8	800	JJS-800
550	ACQ550-Px-645A-4	R8	800	JJS-800

1. "Px" represents both PC and PD.

600 Volt, Fuses

600 Volt		Frame Size	Drive Input Fuse Ratings	
HP	Type Code <sup>1</sup>		Amps (600V)	Bussmann Type
2	ACQ550-Px-02A7-6	R2	15	KTK-R-15
3	ACQ550-Px-03A9-6	R2	15	KTK-R-15
5	ACQ550-Px-06A1-6	R2	15	KTK-R-15
7.5	ACQ550-Px-09A0-6	R2	15	KTK-R-15
10	ACQ550-Px-011A-6	R2	30	KTK-R-30
15	ACQ550-Px-017A-6	R2	30	KTK-R-30
20	ACQ550-Px-022A-6	R3	60	JJS-60
25	ACQ550-Px-027A-6	R3	60	JJS-60
30	ACQ550-Px-032A-6	R4	100	JJS-100
40	ACQ550-Px-041A-6	R4	100	JJS-100
50	ACQ550-Px-052A-6	R4	100	JJS-100
60	ACQ550-Px-062A-6	R4	100	JJS-100
75	ACQ550-Px-077A-6	R6	200	170M1370
100	ACQ550-Px-099A-6	R6	200	170M1370
125	ACQ550-Px-125A-6	R6	200	170M1370
150	ACQ550-Px-144A-6	R6	200	170M1370

1. "Px" represents both PC and PD.

## Drive's Power Connection Terminals (Supplement to ACQ550-U1 User's Manual)

The following tables show maximum wire size and required tightening torque for incoming power, motor, and grounding terminals.

### 208/240 Volt, Terminals

208/240 Volt		Base Drive Frame Size	Maximum Power Wiring Data <sup>2</sup>							
HP	Type Code <sup>1</sup>		Circuit Breaker UL Type/ NEMA 1 & 12	Circuit Breaker UL Type/ NEMA 3R	Disconnect Switch UL Type/ NEMA 1&12	Disconnect Switch UL Type/ NEMA 3R	Motor Terminals	Ground Lugs UL Type/ NEMA 1&12	Ground Lugs UL Type/ NEMA 3R	
1	ACQ550-Px-04A6-2	R1	#10 35 in-lbs	#10 35 in-lbs	#10 7 in-lbs	#10 7 in-lbs	Refer to Drive's power connection terminals	#10 35 in-lbs	#10 35 in-lbs	
1.5	ACQ550-Px-06A6-2	R1								
2	ACQ550-Px-07A5-2	R1								
3	ACQ550-Px-012A-2	R1								
5	ACQ550-Px-017A-2	R1	#6 45 in-lbs	#6 45 in-lbs	#8 7 in-lbs	#8 7 in-lbs		#6 35 in-lbs	#6 35 in-lbs	
7.5	ACQ550-Px-024A-2	R2								
10	ACQ550-Px-031A-2	R2	#3 50 in-lbs	#3 50 in-lbs	#4 18 in-lbs	#4 18 in-lbs		#3 50 in-lbs	#3 50 in-lbs	
15	ACQ550-Px-046A-2	R3								
20	ACQ550-Px-059A-2	R3								
25	ACQ550-Px-075A-2	R4	#1 50 in-lbs	#1 50 in-lbs	#1 55 in-lbs	#1 55 in-lbs		#2 50 in-lbs	#2 50 in-lbs	
30	ACQ550-Px-088A-2	R4								
40	ACQ550-Px-114A-2	R4			350 MCM 274 in-lbs	300 MCM 200 in-lbs	#1/0 70 in-lbs			#1/0 70 in-lbs
50	ACQ550-Px-143A-2	R6								
60	ACQ550-Px-178A-2	R6	2 x 500 MCM 274 in-lbs	2 x 500 MCM 274 in-lbs	2 x 500 MCM 274 in-lbs	2 x 500 MCM 274 in-lbs	3 x #3/0 250 in-lbs	#2/0 275 in-lbs		
75	ACQ550-Px-221A-2	R6								
100	ACQ550-Px-248A-2	R6								

1. "Px" represents both PC and PD.

2. Torque values shown relate to current production. Check component labels on previously installed units for required tightening torque.

### 480 Volt, Terminals

480 Volt			Maximum Power Wiring Data <sup>2</sup>						
HP	Type Code <sup>1</sup>	Base Drive Frame Size	Circuit Breaker UL Type/ NEMA 1 & 12	Circuit Breaker UL Type/ NEMA 3R	Disconnect Switch UL Type/ NEMA 1&12	Disconnect Switch UL Type/ NEMA 3R	Motor Terminals	Ground Lugs UL Type/ NEMA 1&12	Ground Lugs UL Type/ NEMA 3R
1/1.5	ACQ550-Px-03A3-4	R1	#10 35 in-lbs	#10 35 in-lbs	#10 7 in-lbs	#10 7 in-lbs	Refer to Drive's power connection terminals	#10 35 in-lbs	#10 35 in-lbs
2	ACQ550-Px-04A1-4	R1							
3	ACQ550-Px-06A9-4	R1							
5	ACQ550-Px-08A8-4	R1							
7.5	ACQ550-Px-012A-4	R1							
10	ACQ550-Px-015A-4	R2	#6 45 in-lbs	#6 45 in-lbs	#8 7 in-lbs	#8 7 in-lbs		#6 35 in-lbs	#6 35 in-lbs
15	ACQ550-Px-023A-4	R2							
20	ACQ550-Px-031A-4	R3	#3 50 in-lbs	#3 50 in-lbs	#4 18 in-lbs	#4 18 in-lbs		#3 50 in-lbs	#3 50 in-lbs
25	ACQ550-Px-038A-4	R3							
30	ACQ550-Px-045A-4	R3							
40	ACQ550-Px-059A-4	R4	#1 50 in-lbs	#1 50 in-lbs	#1 55 in-lbs	#1 55 in-lbs		#1 50 in-lbs	#1 50 in-lbs
50	ACQ550-Px-072A-4	R4							
60	ACQ550-Px-078A-4	R4							
75	ACQ550-Px-097A-4	R4	350 MCM 274 in-lbs	300 MCM 200 in-lbs	#1/0 70 in-lbs	#1/0 70 in-lbs		3 x #3/0 250 in-lbs	#2 50 in-lbs
100	ACQ550-Px-125A-4	R5							
125	ACQ550-Px-157A-4	R6							
150	ACQ550-Px-180A-4	R6							
200	ACQ550-Px-246A-4	R6	2 x 500 MCM 274 in-lbs	2 x 500 MCM 274 in-lbs	2 x 500 MCM 274 in-lbs	2 x 500 MCM 274 in-lbs		5 Bus Bar Holes (13/32")	350 MCM 100 in-lbs
250	ACQ550-Px-316A-4	R8							
300	ACQ550-Px-368A-4	R8	2 x 500 MCM 274 in-lbs						
350	ACQ550-Px-414A-4	R8							
400	ACQ550-Px-486A-4	R8							
450	ACQ550-Px-526A-4	R8							
500	ACQ550-Px-602A-4	R8							
550	ACQ550-Px-645A-4	R8	3 x 400 MCM 375 in-lbs	3 x 400 MCM 375 in-lbs					

1. "Px" represents both PC and PD.

2. Torque values shown relate to current production. Check component labels on previously installed units for required tightening torque.

600 Volt, Terminals

600 Volt		Frame Size	Maximum Power Wiring Data <sup>2</sup>							
HP	Type Code <sup>1</sup>		Circuit Breaker UL Type/ NEMA 1 &12	Circuit Breaker UL Type/ NEMA 3R	Disconnect Switch UL Type/ NEMA 1&12	Disconnect Switch UL Type/ NEMA 3R	Motor Terminals	Ground Lugs UL Type/ NEMA 1&12	Ground Lugs UL Type/ NEMA 3R	
2	ACQ550-Px-02A7-6	R2	#6 62 in-lbs	#6 62 in-lbs	#8 7 in-lbs	#8 7 in-lbs	Refer to Drive's power connection terminals	#6 35 in-lbs	#6 35 in-lbs	
3	ACQ550-Px-03A9-6	R2								
5	ACQ550-Px-06A1-6	R2								
7.5	ACQ550-Px-09A0-6	R2								
10	ACQ550-Px-011A-6	R2								
15	ACQ550-Px-017A-6	R2								
20	ACQ550-Px-022A-6	R3	#3 62 in-lbs	#3 62 in-lbs	Refer to Drive's power connection terminals	#3 50 in-lbs		#3 50 in-lbs		
25	ACQ550-Px-027A-6	R3								
30	ACQ550-Px-032A-6	R4	#1 62 in-lbs	#1 62 in-lbs		#4 18 in-lbs		#4 18 in-lbs	#2 50 in-lbs	#2 50 in-lbs
40	ACQ550-Px-041A-6	R4				#1 55 in-lbs		#1 55 in-lbs		
50	ACQ550-Px-052A-6	R4				#1 62 in-lbs	#1 62 in-lbs			
60	ACQ550-Px-062A-6	R4				#1/0 70 in-lbs	#1/0 70 in-lbs			
75	ACQ550-Px-077A-6	R6	350 MCM 274 in-lbs	300 MCM 275 in-lbs		300 MCM 275 in-lbs	300 MCM 200 in-lbs	3 x #3/0 250 in-lbs	#2/0 375 in-lbs	
100	ACQ550-Px-099A-6	R6								
125	ACQ550-Px-125A-6	R6								
150	ACQ550-Px-144A-6	R6								

1. "Px" represents both PC and PD.

2. Torque values shown relate to current production. Check component labels on previously installed units for required tightening torque.



## Dimensional References

The following tables contain dimensional references that identify the dimensional information applying to a given type code.

### *208/240V Drive with Disconnect*

HP	Type Code <sup>1</sup>	AMP	Base Drive Frame	UL Type /NEMA 1 Dim. Ref. Page 34	(+B055) UL Type / NEMA 12 Dim. Ref. Page 35	(+B058) UL Type / NEMA 3R Dim. Ref. Page 36
1	ACQ550-Px-04A6-2	4.6	R1	PX1-1	PX12-1	PX3R-1
1.5	ACQ550-Px-06A6-2	6.6	R1	PX1-1	PX12-1	PX3R-1
2	ACQ550-Px-07A5-2	7.5	R1	PX1-1	PX12-1	PX3R-1
3	ACQ550-Px-012A-4	11.8	R1	PX1-1	PX12-1	PX3R-1
5	ACQ550-Px-017A-2	16.7	R1	PX1-1	PX12-1	PX3R-1
7.5	ACQ550-Px-024A-2	24.2	R2	PX1-2	PX12-2	PX3R-2
10	ACQ550-Px-031A-2	30.8	R2	PX1-2	PX12-2	PX3R-3
15	ACQ550-Px-046A-2	46.2	R3	PX1-3	PX12-3	PX3R-3
20	ACQ550-Px-059A-2	59.4	R3	PX1-3	PX12-3	PX3R-3
25	ACQ550-Px-075A-2	74.8	R4	PX1-4	PX12-4	PX3R-4
30	ACQ550-Px-088A-2	88	R4	PX1-5	PX12-5	PX3R-5
40	ACQ550-Px-114A-2	114	R4	PX1-5	PX12-5	PX3R-5
50	ACQ550-Px-143A-2	143	R6	PX1-6	PX12-6	PX3R-6
60	ACQ550-Px-178A-2	178	R6	PX1-6	PX12-6	PX3R-6
75	ACQ550-Px-221A-2	221	R6	PX1-6	PX12-6	PX3R-6
100	ACQ550-Px-248A-2	248	R6	PX1-6	PX12-6	PX3R-6

1. "Px" represents both PC and PD.

480V Drive with Disconnect

HP	Type Code <sup>1</sup>	AMP	Base Drive Frame	UL Type / NEMA 1 Dim. Ref. Page 34	(+B055) UL Type / NEMA 12 Dim. Ref. Page 35	(+B058) UL Type / NEMA 3R Dim. Ref. Page 36
1.5	ACQ550-Px-03A3-4	3.3	R1	PX1-1	PX12-1	PX3R-1
2	ACQ550-Px-04A1-4	4.1	R1	PX1-1	PX12-1	PX3R-1
3	ACQ550-Px-06A9-4	6.9	R1	PX1-1	PX12-1	PX3R-1
5	ACQ550-Px-08A8-4	8.8	R1	PX1-1	PX12-1	PX3R-1
7.5	ACQ550-Px-012A-4	11.9	R1	PX1-1	PX12-1	PX3R-1
10	ACQ550-Px-015A-4	15.4	R2	PX1-2	PX12-2	PX3R-2
15	ACQ550-Px-023A-4	23	R2	PX1-2	PX12-2	PX3R-2
20	ACQ550-Px-031A-4	31	R3	PX1-3	PX12-3	PX3R-3
25	ACQ550-Px-038A-4	38	R3	PX1-3	PX12-3	PX3R-3
30	ACQ550-Px-045A-4	44	R3	PX1-3	PX12-3	PX3R-3
40	ACQ550-Px-059A-4	59	R4	PX1-4	PX12-4	PX3R-4
50	ACQ550-Px-072A-4	72	R4	PX1-4	PX12-4	PX3R-4
60	ACQ550-Px-078A-4	77	R4	PX1-4	PX12-4	PX3R-4
75	ACQ550-Px-097A-4	96	R4	PX1-5	PX12-5	PX3R-5
100	ACQ550-Px-125A-4	124	R5	PX1-5	PX12-5	PX3R-6
125	ACQ550-Px-157A-4	157	R6	PX1-6	PX12-6	PX3R-6
150	ACQ550-Px-180A-4	180	R6	PX1-6	PX12-6	PX3R-6
200	ACQ550-Px-246A-4	245	R6	PX1-6	PX12-6	PX3R-6
250	ACQ550-PC-316A-4	316	R8	PX1-8	PX12-8	
300	ACQ550-PC-368A-4	368	R8	PX1-8	PX12-8	
350	ACQ550-PC-414A-4	414	R8	PX1-8	PX12-8	
400	ACQ550-PC-486A-4	486	R8	PX1-8	PX12-8	
450	ACQ550-PC-526A-4	526	R8	PX1-8	PX12-8	
500	ACQ550-PC-602A-4	602	R8	PX1-8	PX12-8	
550	ACQ550-PC-645A-4	645	R8	PX1-8	PX12-8	

1. "Px" represents both PC and PD.

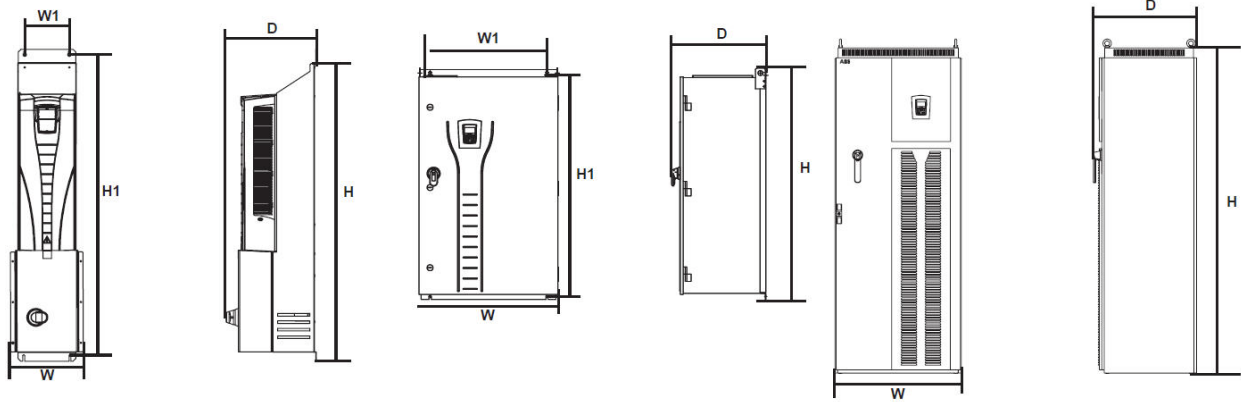
*600V Drive with Disconnect*

<b>HP</b>	<b>Type Code<sup>1</sup></b>	<b>AMP</b>	<b>Base Drive Frame</b>	<b>UL Type / NEMA 1 Dim. Ref. Page 34</b>	<b>(+B055) UL Type / NEMA 12 Dim. Ref. Page 35</b>	<b>(+B058) UL Type / NEMA 3R Dim. Ref. Page 36</b>
2	ACQ550-Px-02A7-6	2.7	R2	PX1-2	PX12-2	PX3R-2
3	ACQ550-Px-03A9-6	3.9	R2	PX1-2	PX12-2	PX3R-2
5	ACQ550-Px-06A1-6	6.1	R2	PX1-2	PX12-2	PX3R-2
7.5	ACQ550-Px-09A0-6	9	R2	PX1-2	PX12-2	PX3R-2
10	ACQ550-Px-011A-6	11	R2	PX1-2	PX12-2	PX3R-2
15	ACQ550-Px-017A-6	17	R2	PX1-2	PX12-2	PX3R-2
20	ACQ550-Px-022A-6	22	R3	PX1-3	PX12-3	PX3R-3
25	ACQ550-Px-027A-6	27	R3	PX1-3	PX12-3	PX3R-3
30	ACQ550-Px-032A-6	32	R4	PX1-4	PX12-4	PX3R-4
40	ACQ550-Px-041A-6	41	R4	PX1-4	PX12-4	PX3R-4
50	ACQ550-Px-052A-6	52	R4	PX1-4	PX12-4	PX3R-4
60	ACQ550-Px-062A-6	62	R4	PX1-4	PX12-4	PX3R-4
75	ACQ550-Px-077A-6	77	R6	PX1-6	PX12-6	PX3R-6
100	ACQ550-Px-099A-6	99	R6	PX1-6	PX12-6	PX3R-6
125	ACQ550-Px-125A-6	125	R6	PX1-6	PX12-6	PX3R-6
150	ACQ550-Px-144A-6	144	R6	PX1-6	PX12-6	PX3R-6

1. "Px" represents both PC and PD.

# Dimensions and Weights (Supplement to ACQ550-U1 User's Manual)

Dimensions: ACQ550-Px UL Type / NEMA 1



Wall Mount (PX1-1 - PX1-4)

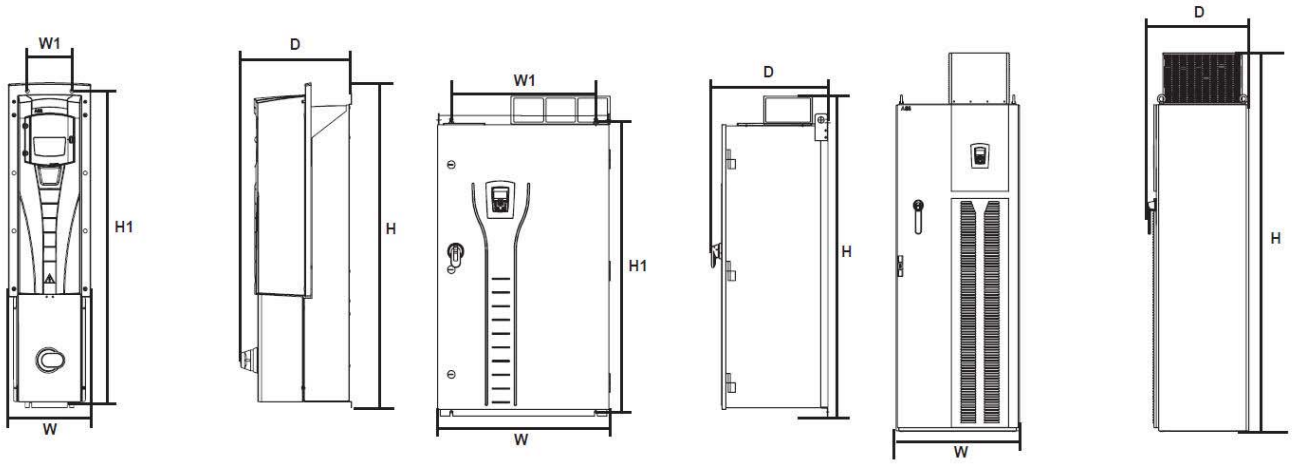
Wall Mount (PX1-5 - PX1-6)

Floor Mount (PX1-8)

Dimension Reference	UL Type / NEMA 1 Mounting Dimensions mm [inches]			UL Type / NEMA 1 Dimensions and Weights mm kg [inches] [lbs]				
	H1	W1	Mounting Hardware	Height (H)	Width (W)	Depth (D)	Weight	Dimension Drawing
PX1-1	712 [28]	98 [3.9]	M6 [0.25]	729 [28.7]	198 7.8	283 11.2	15 33	3AUA000008216 Sheet 1
PX1-2	812 [32]	98 [3.9]	M6 [0.25]	829 [32.6]	198 [7.8]	295 [11.6]	19 [42]	3AUA000008218 Sheet 1
PX1-3	983 [38.7]	160 [6.3]	M6 [0.25]	1013 [39.9]	260 [10.2]	304 [11.9]	34 [75]	3AUA000008220 Sheet 1
PX1-4	1117 [44]	160 [6.3]	M6 [0.25]	1147 [45.2]	260 [10.2]	332 [13.1]	43 [95]	3AUA000008221 Sheet 1
PX1-5	1175 [46.3]	600 [23.6]	M10 [0.375]	1212 [47.7]	713 [28.1]	483 [19]	121 [267]	3AUA000021148 Sheet 1
PX1-6	1175 [46.3]	600 [23.6]	M10 [0.375]	1212 [47.7]	713 [28.1]	483 [19]	163 [359]	3AUA000021148 Sheet 1
PX1-8 <sup>1</sup>	Free Standing		Ø16 [Ø0.63]	2125 [83.7]	806 [31.7]	659 [25.9]	360 [794]	3AUA000021152 Sheet 1

1. See page 37 for mounting dimension details and additional free space recommendations.

Dimensions: ACQ550-Px UL Type / NEMA 12



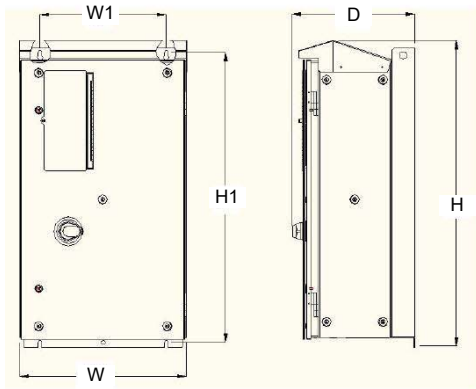
Wall Mount (PX12-1 - PX12-4)

Wall Mount (PX12-5 - PX12-6)

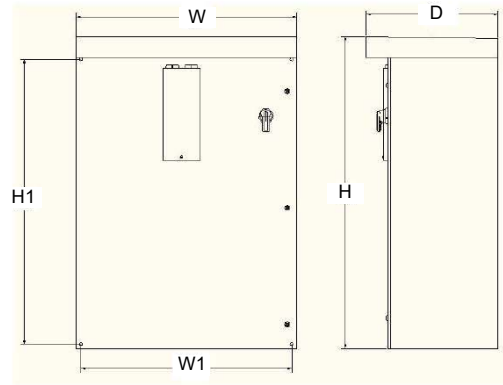
Floor Mount (PX12-8)

Dimension Reference	UL Type / NEMA 12 Mounting Dimensions mm [inches]			UL Type / NEMA 12 Dimensions and Weights mm kg [inches] [lbs]				
	H1	W1	Mounting Hardware	Height (H)	Width (W)	Depth (D)	Weight	Drawing Dimension
PX12-1	712 [28]	98 [3.9]	M6 [0.25]	744 [29.3]	221 [8.7]	283 [11.2]	17 [37]	3AUA0000008216 Sheet 2
PX12-2	812 [32]	98 [3.9]	M6 [0.25]	844 [33.2]	221 [8.7]	295 [11.6]	21 [46]	3AUA0000008218 Sheet 2
PX12-3	983 [38.7]	160 [6.3]	M6 [0.25]	1030 [40.6]	267 [10.5]	304 [11.9]	36 [79]	3AUA0000008220 Sheet 2
PX12-4	1117 [44]	160 [6.3]	M6 [0.25]	1163 [45.8]	267 [10.5]	332 [13.1]	45 [99]	3AUA0000008221 Sheet 2
PX12-5	1175 [46.3]	600 [23.6]	M10 [0.375]	1380 [54.3]	713 [28.1]	483 [19]	121 [267]	3AUA0000021149 Sheet 1
PX12-6	1175 [46.3]	600 [23.6]	M10 [0.375]	1380 [54.3]	713 [28.1]	483 [19]	163 [359]	3AUA0000021149 Sheet 1
PX12-8 <sup>1</sup>	Free Standing		Ø16 [Ø0.63]	2377 [93.6]	806 [31.7]	659 [25.9]	380 [838]	3AUA0000021153 Sheet 1

1. See page 37 for mounting dimension details and additional free space recommendations.



Wall Mount (PX3R-1 - PX3R-4)



Wall Mount (PX3R-5 - PX3R-6)

Dimension Reference	UL Type / NEMA 3R Mounting Dimensions mm [inches]			UL Type / NEMA 3R Dimensions and Weights mm kg [inches] [lbs]				
	H1	W1	Mounting Hardware	Height (H)	Width (W)	Depth (D)	Weight	Drawing Dimension
PX3R-1	810 [31.9]	320 [12.6]	M10 [0.375]	865 [34]	452 [17.8]	343 [13.5]	58 [128]	3AUA0000016377 Sheet 1
PX3R-2	810 [31.9]	320 [12.6]	M10 [0.375]	865 [34]	452 [17.8]	343 [13.5]	61 [134]	3AUA0000016377 Sheet 1
PX3R-3	918 [36.1]	400 [15.7]	M10 [0.375]	968 [38.1]	530 [20.9]	389 [15.3]	80 [176]	3AUA0000016380 Sheet 1
PX3R-4	918 [36.1]	400 [15.7]	M10 [0.375]	968 [38.1]	530 [20.9]	389 [15.3]	88 [194]	3AUA0000016380 Sheet 1
PX3R-5	876 [34.5]	724 [28.5]	M10 [0.375]	991 [39]	762 [30]	394 [15.5]	92.3 [203]	3AUA0000060123 Sheet 2
PX3R-6	1181 [46.5]	876 [34.5]	M10 [0.375]	1295 [51]	914 [36]	546 [21.5]	179.1 [395]	3AUA0000060124 Sheet 2

**Note!** UL Type 3R, PX3R-1, PX3R-2, PX3R-3 & PX3R-4 enclosures are designed to be mounted on a wall. Mounting these 3R enclosures on an open rack system requires the use of the supplied 3R enclosure back plates to maintain 3R integrity. See document #3AUA0000113577 for more details.

По вопросам продаж и поддержки обращайтесь:

**Алматы** (7273)495-231  
**Ангарск** (3955)60-70-56  
**Архангельск** (8182)63-90-72  
**Астрахань** (8512)99-46-04  
**Барнаул** (3852)73-04-60  
**Белгород** (4722)40-23-64  
**Благовещенск** (4162)22-76-07  
**Брянск** (4832)59-03-52  
**Владивосток** (423)249-28-31  
**Владикавказ** (8672)28-90-48  
**Владимир** (4922)49-43-18  
**Волгоград** (844)278-03-48  
**Вологда** (8172)26-41-59  
**Воронеж** (473)204-51-73  
**Екатеринбург** (343)384-55-89  
**Иваново** (4932)77-34-06  
**Ижевск** (3412)26-03-58  
**Иркутск** (395)279-98-46  
**Казань** (843)206-01-48

**Калининград** (4012)72-03-81  
**Калуга** (4842)92-23-67  
**Кемерово** (3842)65-04-62  
**Киров** (8332)68-02-04  
**Коломна** (4966)23-41-49  
**Кострома** (4942)77-07-48  
**Краснодар** (861)203-40-90  
**Красноярск** (391)204-63-61  
**Курган** (3522)50-90-47  
**Курск** (4712)77-13-04  
**Липецк** (4742)52-20-81  
**Магнитогорск** (3519)55-03-13  
**Москва** (495)268-04-70  
**Мурманск** (8152)59-64-93  
**Набережные Челны** (8552)20-53-41  
**Нижний Новгород** (831)429-08-12  
**Новокузнецк** (3843)20-46-81  
**Новосибирск** (383)227-86-73  
**Ноябрьск**(3496)41-32-12

**Омск** (3812)21-46-40  
**Орел** (4862)44-53-42  
**Оренбург** (3532)37-68-04  
**Пенза** (8412)22-31-16  
**Пермь** (342)205-81-47  
**Петрозаводск** (8142)55-98-37  
**Псков** (8112)59-10-37  
**Ростов-на-Дону** (863)308-18-15  
**Рязань** (4912)46-61-64  
**Самара** (846)206-03-16  
**Санкт-Петербург** (812)309-46-40  
**Саранск** (8342)22-96-24  
**Саратов** (845)249-38-78  
**Севастополь** (8692)22-31-93  
**Симферополь** (3652)67-13-56  
**Смоленск** (4812)29-41-54  
**Сочи** (862)225-72-31  
**Ставрополь** (8652)20-65-13  
**Сургут** (3462)77-98-35

**Сыктывкар** (8212)25-95-17  
**Тамбов** (4752)50-40-97  
**Тверь** (4822)63-31-35  
**Тольятти** (8482)63-91-07  
**Томск** (3822)98-41-53  
**Тула** (4872)33-79-87  
**Тюмень** (3452)66-21-18  
**Улан-Удэ** (3012)59-97-51  
**Ульяновск** (8422)24-23-59  
**Уфа** (347)229-48-12  
**Хабаровск** (4212)92-98-04  
**Чебоксары** (8352)28-53-07  
**Челябинск** (351)202-03-61  
**Череповец** (8202)49-02-64  
**Чита** (3022)38-34-83  
**Якутск** (4112)23-90-97  
**Ярославль** (4852)69-52-93

**Россия** +7(495)268-04-70

**Казахстан** +7(7172)727-132

**Киргизия** +996(312)96-26-47

<https://abbdrives.nt-rt.ru/> || [aei@nt-rt.ru](mailto:aei@nt-rt.ru)