

По вопросам продаж и поддержки обращайтесь:

Самары (7273)495-231
Ангарск (3955)60-70-56
Архангельск (8182)63-90-72
Астрахань (8512)99-46-04
Барнаул (3852)73-04-60
Белгород (4722)40-23-64
Благовещенск (4162)22-76-07
Брянск (4832)59-03-52
Владивосток (423)249-28-31
Владикавказ (8672)28-90-48
Владимир (4922)49-43-18
Волгоград (844)278-03-48
Вологда (8172)26-41-59
Воронеж (473)204-51-73
Екатеринбург (343)384-55-89
Иваново (4932)77-34-06
Ижевск (3412)26-03-58
Иркутск (395)279-98-46
Казань (843)206-01-48

Калининград (4012)72-03-81
Калуга (4842)92-23-67
Кемерово (3842)65-04-62
Киров (8332)68-02-04
Коломна (4966)23-41-49
Кострома (4942)77-07-48
Краснодар (861)203-40-90
Красноярск (391)204-63-61
Курган (3522)50-90-47
Курск (4712)77-13-04
Липецк (4742)52-20-81
Магнитогорск (3519)55-03-13
Москва (495)268-04-70
Мурманск (8152)59-64-93
Набережные Челны (8552)20-53-41
Нижний Новгород (831)429-08-12
Новокузнецк (3843)20-46-81
Новосибирск (383)227-86-73
Ноябрьск (3496)41-32-12

Омск (3812)21-46-40
Орел (4862)44-53-42
Оренбург (3532)37-68-04
Пенза (8412)22-31-16
Пермь (342)205-81-47
Петрозаводск (8142)55-98-37
Псков (8112)59-10-37
Ростов-на-Дону (863)308-18-15
Рязань (4912)46-61-64
Самара (846)206-03-16
Санкт-Петербург (812)309-46-40
Саранск (8342)22-96-24
Саратов (845)249-38-78
Севастополь (8692)22-31-93
Симферополь (3652)67-13-56
Смоленск (4812)29-41-54
Сочи (862)225-72-31
Ставрополь (8652)20-65-13
Сургут (3462)77-98-35

Сыктывкар (8212)25-95-17
Тамбов (4752)50-40-97
Тверь (4822)63-31-35
Тольятти (8482)63-91-07
Томск (3822)98-41-53
Тула (4872)33-79-87
Тюмень (3452)66-21-18
Улан-Удэ (3012)59-97-51
Ульяновск (8422)24-23-59
Уфа (347)229-48-12
Хабаровск (4212)92-98-04
Чебоксары (8352)28-53-07
Челябинск (351)202-03-61
Череповец (8202)49-02-64
Чита (3022)38-34-83
Якутск (4112)23-90-97
Ярославль (4852)69-52-93

Россия +7(495)268-04-70

Казахстан +7(7172)727-132

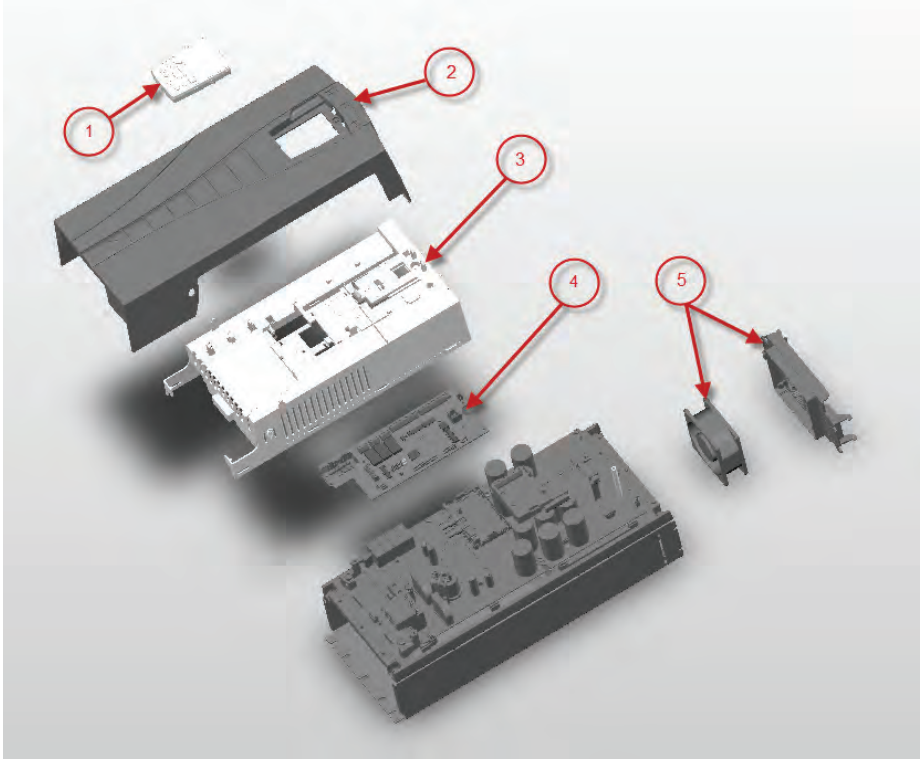
Киргизия +996(312)96-26-47

<https://abbdrives.nt-rt.ru/> || aei@nt-rt.ru

ПРИВОДЫ ПЕРЕМЕННОГО ТОКА ВЫСОКОВОЛЬТНЫЕ Техническое описание на преобразователи частоты АСН550



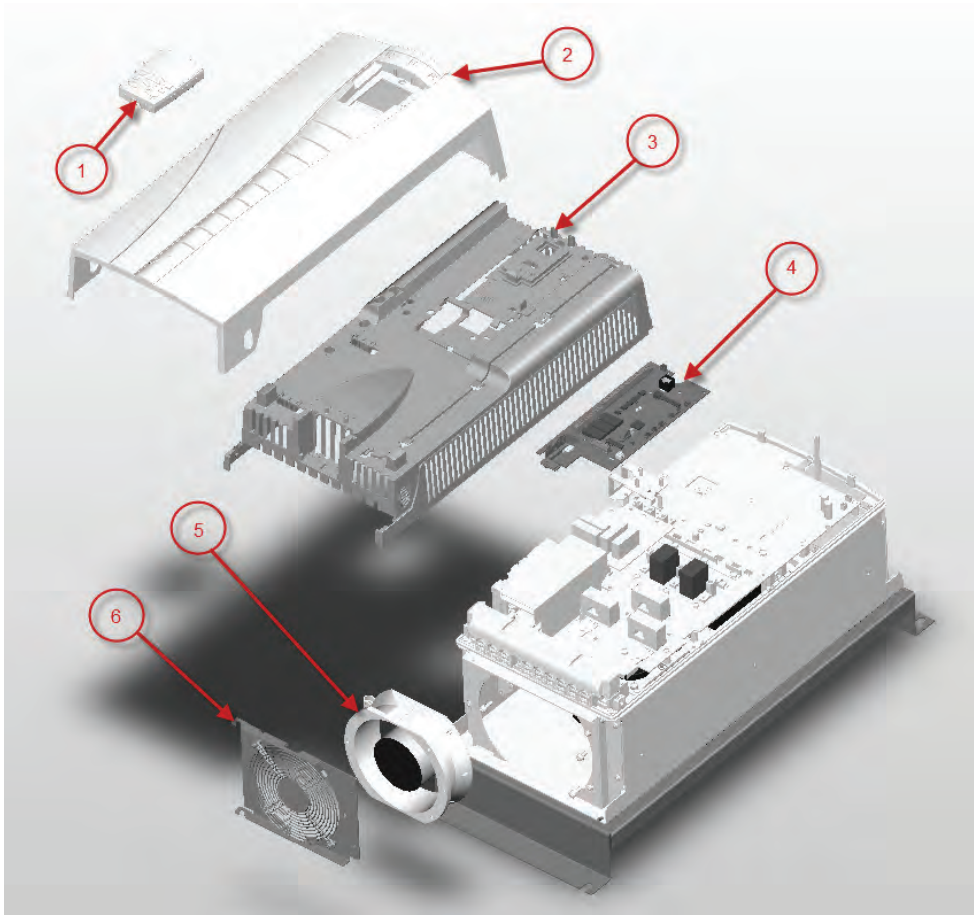
ACH550-UH drive spare parts for frames R3-R4



ACH550-UH drive spare parts for frames R3-R4

Item	Part Number	Description	230Vac			480Vac			600Vac											
			-UH-046A-2	-UH-059A-2	-UH-075A-2	-UH-088A-2	-UH-114A-2	-UH-031A-4	-UH-038A-4	-UH-045A-4	-UH-059A-4	-UH-072A-4	-UH-078A-4	-UH-097A-4	-UH-022A-6	-UH-027A-6	-UH-032A-6	-UH-041A-6	-UH-052A-6	-UH-062A-6
1 - Control Panel	64738984	Control Panel, ACH-CP-B with Connector	1	1	1	1	1	1	1	1	1	1	1	1	1	1	1	1	1	1
2 - Covers UL Type 1	3AUA0000001395	R3 IP21 Cover	1	1				1	1	1			1	1						
	3AUA0000001396	R4 IP21 Cover			1	1	1				1	1	1	1			1	1	1	1
2 - Covers UL Type 12, +B055 not shown	3AUA0000003819	R3 IP54 Cover	1	1				1	1	1			1	1						
	3AUA0000003820	R4 IP54 Cover			1	1	1				1	1	1	1			1	1	1	1
3 - Skeleton	68228476	IP54 Door For Panel Access	1	1	1	1	1	1	1	1	1	1	1	1	1	1	1	1	1	1
	3AUA0000001391	R3 Skeleton Assembly	1	1				1	1	1			1	1						
4 - Control Board	3AUA0000001392	R4 Skeleton Assembly			1	1	1				1	1	1	1			1	1	1	1
	3AUA0000010562	Kit, ACH550 Control Board W/ BACNET, SMIO-01C	1	1	1	1	1	1	1	1	1	1	1	1	1	1	1	1	1	1
5 - Fan Kits UL Type 1	3AUA0000139142	ACH550-UH-R3 FAN KIT	1	1				1	1	1			1	1						
	3AUA0000139144	ACH550-UH-R4 FAN KIT			1	1	1				1	1	1			1	1	1	1	1
	3AUA0000139146	ACH550-UH-R4 (97A ONLY) FAN KIT											1							
5 - Fan Kits UL Type 12, +B055 (not shown)	3AUA0000139143	ACH550-UH-R3 FAN KIT FOR (+B055)	1	1				1	1	1			1	1						
	3AUA0000139145	ACH550-UH-R4 FAN KIT FOR (+B055)			1	1	1				1	1	1			1	1	1	1	1
	3AUA0000139147	ACH550-UH-R4 (97A ONLY) FAN KIT (+B055)											1							

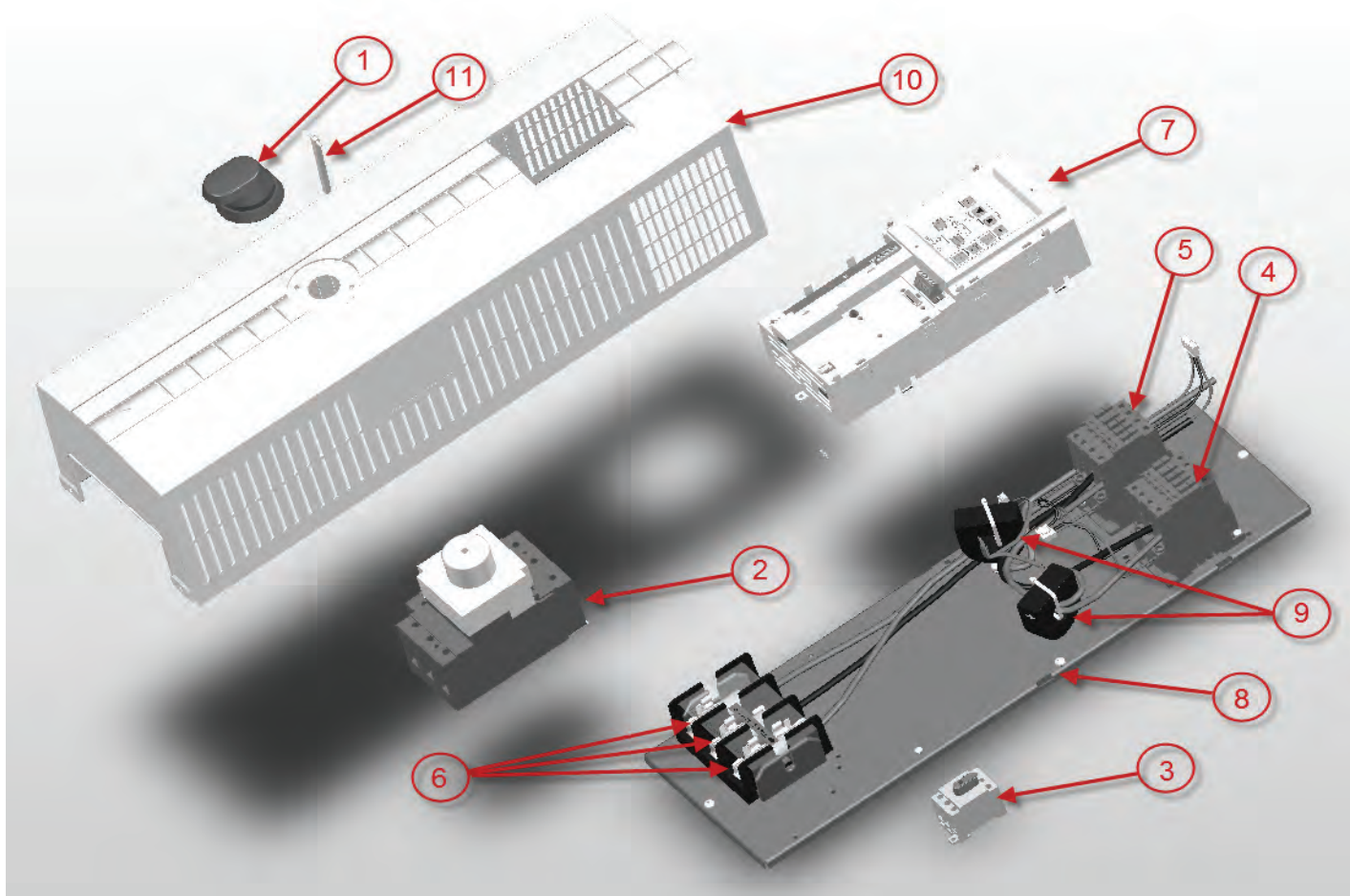
ACH550-UH drive spare parts for frames R5-R6



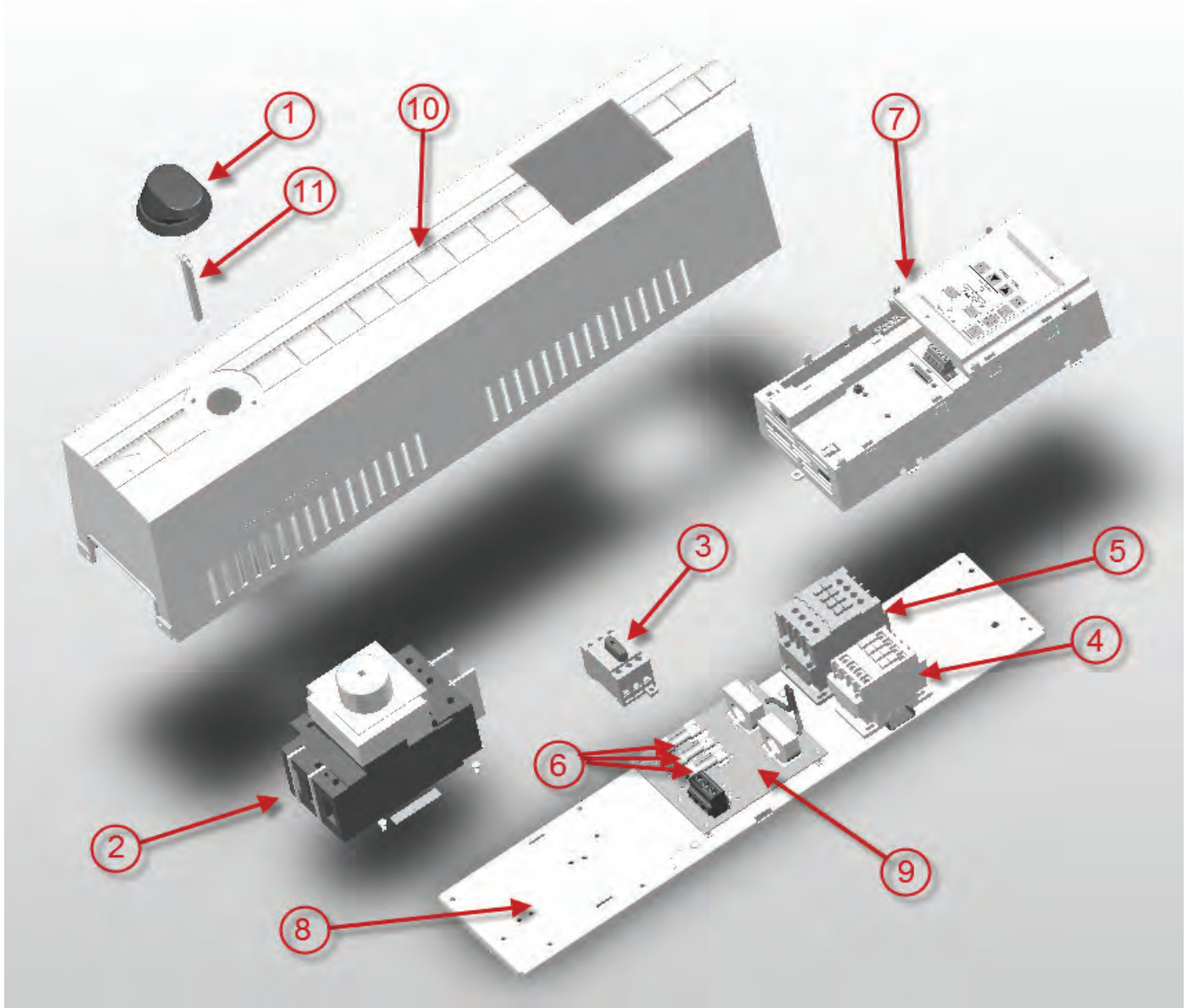
ACH550-UH drive spare parts for frames R5-R6

Item	Part Number	Description	230Vac				480Vac				600Vac			
			-UH-143A-2	-UH-178A-2	-UH-221A-2	-UH-248A-2	-UH-125A-4	-UH-157A-4	-UH-180A-4	-UH-246A-4	-UH-077A-6	-UH-099A-6	-UH-125A-6	-UH-144A-6
1 - Control Panel	64738984	Control Panel, ACH-CP-B with Connector	1	1	1	1	1	1	1	1	1	1	1	1
2 - Covers UL Type 1	64690230	R5 IP21 Cover					1							
	64732528	R6 IP21 Cover	1	1	1	1								
2 - Covers UL Type 12, +B055 not shown	68232856	R5 IP54 Cover					1	1	1	1	1	1	1	1
	68232872	R6 IP54 Cover	1	1	1	1								
3 - Skeleton	68228476	IP54 Door For Panel Access	1	1	1	1	1	1	1	1	1	1	1	1
	64734351	R5 Skeleton Assembly					1							
4 - Control Board	64732684	R6 Skeleton Assembly	1	1	1	1					1	1	1	1
	3AUA0000010562	Kit, ACH550 Control Board W/ BACNET, SMIO-01C	1	1	1	1	1	1	1	1	1	1	1	1
5 & 6 - Fan Kits UL Type 1	3AUA0000139148	ACH550-UH-R5 FAN KIT					1							
	3AUA0000139150	ACH550-UH-R6 FAN KIT	1	1	1	1					1	1	1	1
5 & 6 - Fan Kits UL Type 12, +B055 (not shown)	3AUA0000139149	ACH550-UH-R5 FAN KIT FOR (+B055)					1							
	3AUA0000139151	ACH550-UH-R6 FAN KIT FOR (+B055)	1	1	1	1					1	1	1	1

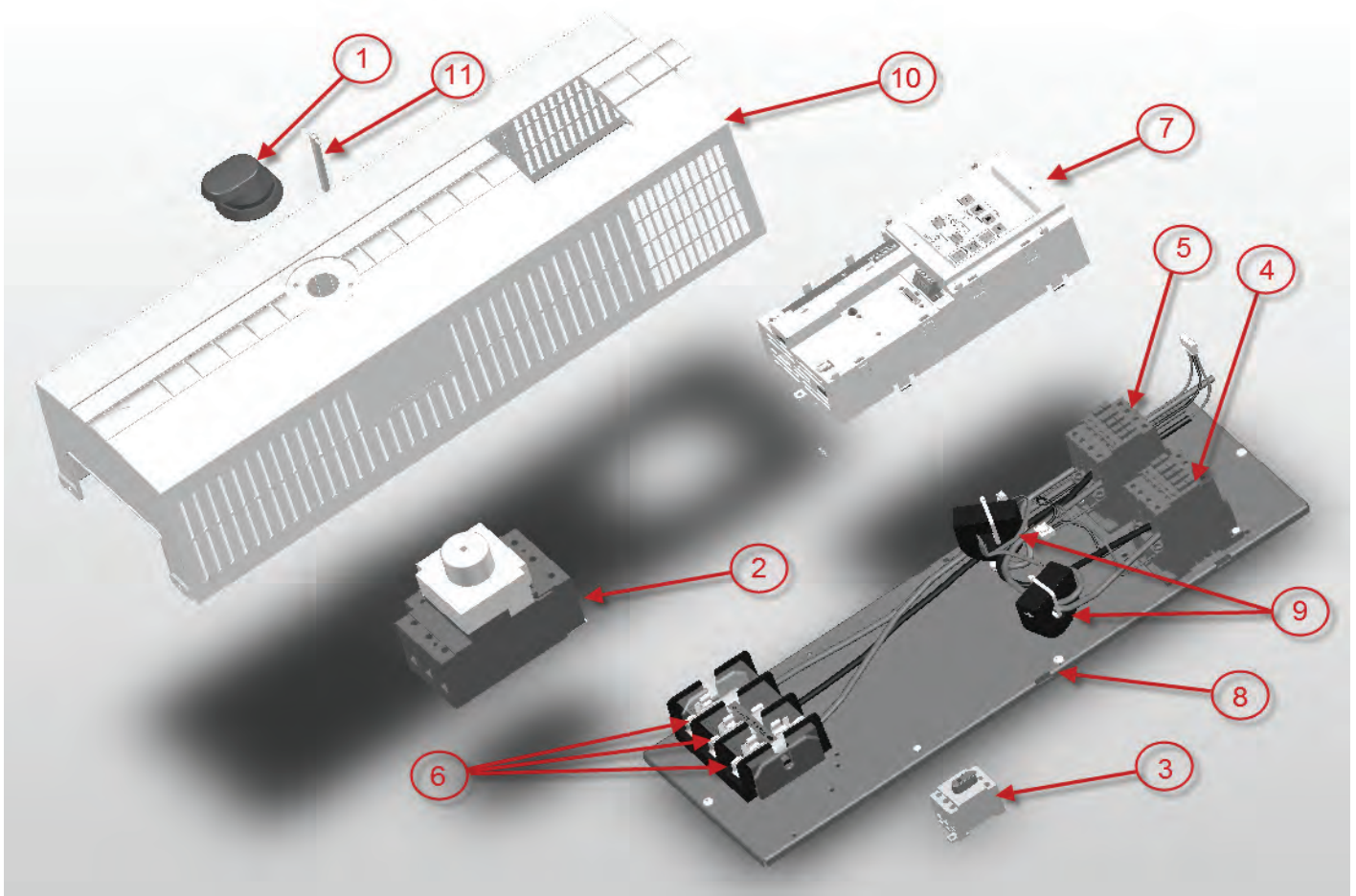
E-Clipse VCR - Enclosure Designation V3 - V4



E-Clipse VDR - Enclosure Designation V1 - V2



E-Clipse VDR - Enclosure Designation V3 - V4



E-Clipse VDR - Enclosure Designation V3 -V4

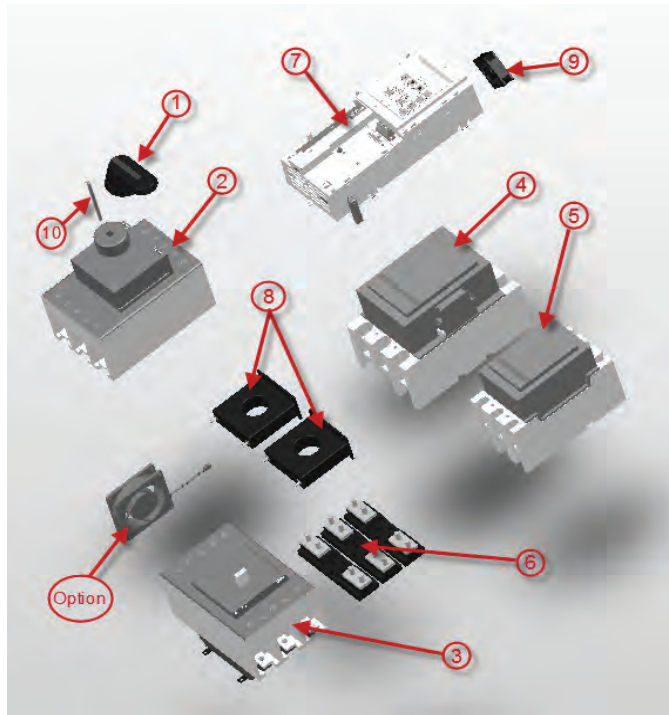
E-Clipse -VDR - Enclosure Designation V3

Item	Part Number	Description	230Vac			480Vac			600Vac	
			-VDR-031A-2	-VDR-046A-2	-VDR-059A-2	-VDR-031A-4	-VDR-038A-4	-VDR-045A-4	-VDR-022A-6	-VDR-027A-6
1 - Handle	3AUA0000018081	Main Switch - Handle	1	1	1	1	1	1	1	1
2 - Main Switch	3AUA0000045402	Switch-Main (40A Disconnect Switch)	1			1			1	1
3 - Service Switch +F267	3AUA0000045830	Disconnect Switch, 80A,600V, 3P		1	1		1	1		
	3AUA0000045848	Switch-Service (40A Switch)	1			1			1	1
4 - Contactor, Bypass	3AUA0000045849	Switch-Service (80A Switch)		1	1		1	1		
	3AUA0000045857	Contactor-Byp (42A/60A Bypass contactor)	1			1	1	1	1	1
5 - Contactor, Drive	3AUA0000045858	Contactor-Byp (80A/105A Bypass contactor)		1	1					
	3AUA0000045868	Contactor-Drive (34A/50A Drive Contactor)	1			1	1	1	1	1
6 - Drive Fuses	3AUA0000045869	Contactor-Drive (54A/80A Drive Contactor)		1	1					
	3AUA0000045879	Fuses-Main (60A, 600V, CLASS T - Kit of 3)	1			1	1	1	1	1
7 - Bypass Control (RBCU)	3AUA0000045880	Fuses-Main (100A, 600V, CLASS T - Kit of 3)		1	1					
	3AUA0000034480	Control-Bypass (E-Clipse Bypass Control Unit)	1	1	1	1	1	1	1	1
8 - Contactor Panel	3AUA0000045896	ContactorAssy (RCSA-031 Contactor Panel)	1			1	1	1	1	1
	3AUA0000045897	ContactorAssy (RCSA-041 Contactor Panel)		1	1					
9 - Current Transformer	3AUA0000056485	Res-Brden/CT Assy (75A CT Kit)	1	1	1	1	1	1	1	1
10 - Cover	3AUA0000014385	Plastic Housing, Bypass Cover V3-4	1	1	1	1	1	1	1	1
11 - Shaft, Handle	3AUA0000049885	Shaft, 6mm X 168mm	1			1			1	1
	3AUA0000049886	Shaft, 6mm X 149mm		1	1		1	1		

E-Clipse -VDR - Enclosure Designation V4

Item	Part Number	Description	230Vac		480Vac		600Vac			
			-VDR-075A-2	-VDR-059A-4	-VDR-072A-4	-VDR-078A-4	-VDR-032A-6	-VDR-041A-6	-VDR-052A-6	-VDR-062A-6
1 - Handle	3AUA0000018081	Main Switch - Handle	1	1	1	1	1	1	1	1
2 - Main Switch	3AUA0000045841	Switch-Main (125A Disconnect Switch)				1				1
	3AUA0000045830	Disconnect Switch, 80A,600V, 3P		1			1	1		
	3AUA0000045832	Disconnect Switch, 100A,600V, 3P	1		1				1	
3 - Service Switch +F267	3AUA0000045849	Switch-Service (80A Switch)		1	1		1	1	1	1
	3AUA0000045850	Switch-Service (100A Switch)	1		1	1				
4 - Contactor, Bypass	3AUA0000045858	Contactor-Byp (80A/105A Bypass contactor)	1	1	1	1	1	1	1	1
5 - Contactor, Drive	3AUA0000045869	Contactor-Drive (54A/80A Drive Contactor)	1	1	1	1	1	1	1	1
6 - Drive Fuses	3AUA0000045880	Fuses-Main (100A, 600V, CLASS T - Kit of 3)	1	1	1	1	1	1	1	1
7 - Bypass Control (RBCU)	3AUA0000034480	Control-Bypass (E-Clipse Bypass Control Unit)	1	1	1	1	1	1	1	1
8 - Contactor Panel, Complete	3AUA0000045897	ContactorAssy (RCSA-041 Contactor Panel)	1	1	1	1	1	1	1	1
9 - Current Transformer	3AUA0000056485	Res-Brden/CT Assy (75A CT Kit)	1	1	1	1	1	1	1	1
10 - Cover	3AUA0000014385	Plastic Housing, Bypass Cover V3-4	1	1	1	1	1	1	1	1
11 - Shaft, Handle	3AUA0000049888	Shaft, 6mm X 175mm	1		1				1	
	3AUA0000018711	Shaft, 6mm x 226mm				1				1
	3AUA0000049887	Shaft, 6mm X 181mm		1			1	1		

E-Clipse BCR - Enclosure Designation B4

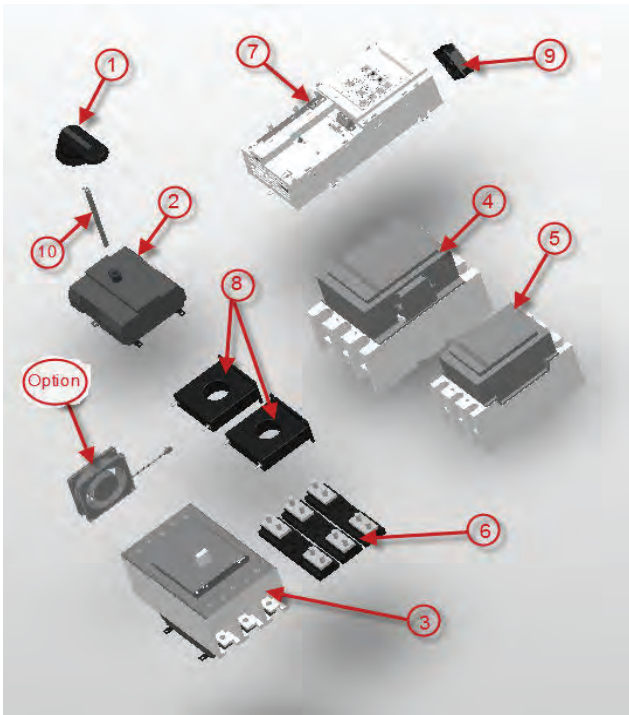


E-Clipse BCR - Enclosure Designation B4

E-Clipse -BCR - Enclosure Designation B4

Item	Part Number	Description	480Vac			
			-BCR-316A-4	-BCR-368A-4	-BCR-414A-4	-BCR-486A-4
1 - Handle	3AUA0000158587	Handle 175mm UL TYPE 3R,12	1	1	1	1
2 - Circuit Breaker	3AUA0000045844	Switch-Main (600A CB, Lugs, Op Mech)	1	1	1	1
3 - Service Switch +F267	3AUA0000045854	Switch-Service (600A Molded Case Switch)	1	1	1	1
4 - Contactor, Bypass	3AUA0000045865	Contactor-Byp (460A Bypass contactor)	1	1	1	1
5 - Contactor, Drive	3AUA0000045873	Contactor-Drive (400A Drive Contactor)	1	1	1	1
6 - Main Fuses	3AUA0000045883	Fuses-Main (400A 600V Class T - Kit of 3)	1	1		
	3AUA0000045884	Fuses-Main (600A,600V,Class T - Kit of 3)			1	1
7 - Bypass Control (RBCU)	3AUA0000034480	Control-Bypass (E-Clipse Bypass Control Unit)	1	1	1	1
8 - Current Transformer	3AUA0000064437	Res-Brden/CT Assy (500:5 CT Kit)	1	1	1	1
9 - Enclosure Fan Kit	3AUA0000139153	ACH550-BxR Encl. B3-4 Stirring Fan Kit	1	1	1	1
10 - Shaft, Handle	3AUA0000162271	Shaft 19.7" 10 X 500	1	1	1	1
Option +B055, Nema 12 Enclosure	3AUA0000139153	ACH550-BxR Encl. B3-4 Stirring Fan Kit	1	1	1	1
	3AUA0000003983	Gasket, ACX550 panel holder	1	1	1	1
	3AUA0000014905	Assembly, Bezel TYPE 12	1	1	1	1
Option +B058, Nema 3R Enclosure	3AUA0000047523	Heater, 50W 120V	2	2	2	2
	3AUA0000003983	Gasket, ACX550 panel holder	1	1	1	1
	3AUA0000014905	Assembly, Bezel TYPE 12	1	1	1	1
	3AUA0000048829	Assembly, RHTR	1	1	1	1
Control Relay Assembly	3AUA0000045898	Assembly, RRAF	1	1	1	1

E-Cclipse BDR - Enclosure Designation B4

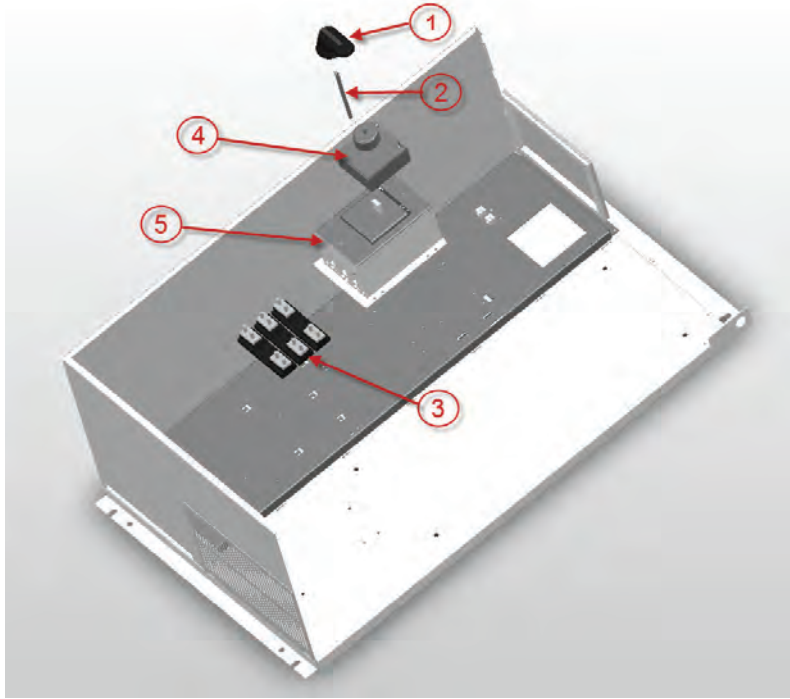


E-Cclipse BDR - Enclosure Designation B4

E-Cclipse -BDR - Enclosure Designation B4

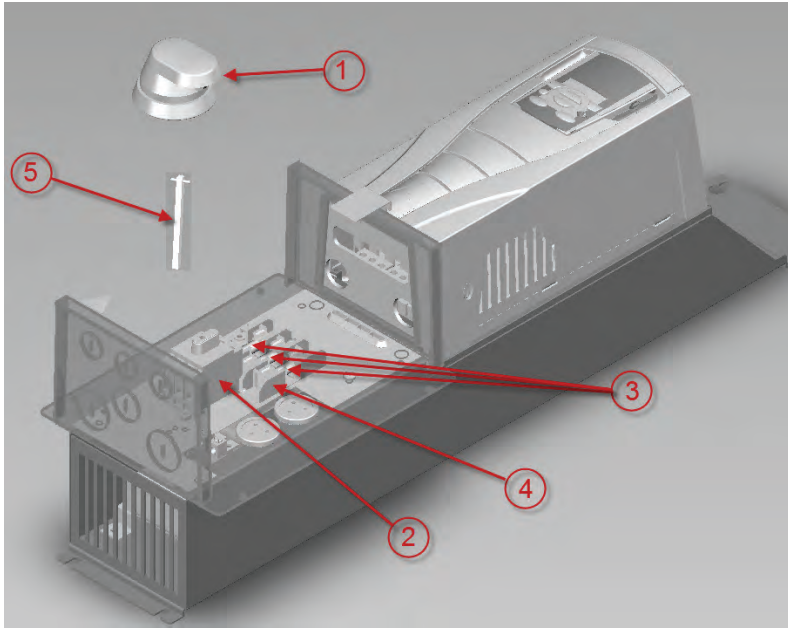
Item	Part Number	Description	480Vac			
			-BDR-316A-4	-BDR-368A-4	-BDR-414A-4	-BDR-486A-4
1 - Handle	3AUA0000158587	Handle 175mm UL TYPE 1, 3R, 12	1	1	1	1
2 - Main Switch	3AUA0000045843	Switch-Main (600A Molded Case Switch w/ Lugs)	1	1	1	1
3 - Service Switch +F267	3AUA0000045854	Switch-Service (600A Molded Case Switch)	1	1	1	1
4 - Contactor, Bypass	3AUA0000045865	Contactor-Byp (460A Bypass contactor)	1	1	1	1
5 - Contactor, Drive	3AUA0000045873	Contactor-Drive (400A Drive Contactor)	1	1	1	1
6 - Main Fuses	3AUA0000045883	Fuses-Main (400A 600V Class T - Kit of 3)	1	1		
	3AUA0000045884	Fuses-Main (600A,600V,Class T - Kit of 3)			1	1
7 - Bypass Control (RBCU)	3AUA0000034480	Control-Bypass (E-Clipse Bypass Control Unit)	1	1	1	1
8 - Current Transformer	3AUA0000064437	Res-Brden/CT Assy (500:5 CT Kit)	1		1	1
9 - Enclosure Fan Kit	3AUA0000139153	ACH550-BxR Encl. B3-4 Stirring Fan Kit	1	1	1	1
10 - Shaft, Handle	3AUA0000158588	Shaft 10mm X 225mm	1	1	1	1
Option +B055, Nema 12 Enclosure	3AUA0000139153	ACH550-BxR Encl. B3-4 Stirring Fan Kit	1	1	1	1
	3AUA0000003983	Gasket, ACX550 panel holder	1	1	1	1
	3AUA0000014905	Assembly, Bezel TYPE 12	1	1	1	1
Option +B058, Nema 3R Enclosure	3AUA0000047523	Heater, 50W 120V	2	2	2	2
	3AUA0000003983	Gasket, ACX550 panel holder	1	1	1	1
	3AUA0000014905	Assembly, Bezel TYPE 12	1	1	1	1
	3AUA0000048829	Assembly, RHTR	1	1	1	1
Control Relay Assembly	3AUA0000045898	Assembly, RRAF	1	1	1	1

ACH550-PCR Enclosure Designation P5-P8



Item	Part Number	Description	230Vac				480Vac								600Vac							
			-PCR-143A-2	-PCR-178A-2	-PCR-221A-2	-PCR-248A-2	-PCR-125A-4	-PCR-157A-4	-PCR-180A-4	-PCR-246A-4	-PCR-316A-4	-PCR-368A-4	-PCR-414A-4	-PCR-486A-4	-PCR-526A-4	-PCR-602A-4	-PCR-645A-4	-PCR-077A-6	-PDR-099A-6	-PCR-125A-6	-PCR-144A-6	
1 - Handle	3AUA0000145952	Pistol Handle, 95mm	1	1	1	1	1	1	1	1	1	1	1	1	1	1	1	1	1	1	1	
	3AUA0000158587	Pistol Handle, 175mm								1	1	1	1	1	1	1						
2 - Shaft	3AUA0000158637	Shaft, 10mm x 77mm								1	1	1	1	1	1	1						
	3AUA0000158588	Shaft, 10mm x 225mm	1	1	1	1	1	1	1	1	1	1	1	1	1	1	1	1	1	1	1	
3 - Fuses and Holder	64585568	3A 600V 2 ELMNT - TIME DELAY								2	2	2	2	2	2	2						
	3AUA567999Z27	Fuse, Delay, 250V 5-6/10A								1	1	1	1	1	1	1						
	3AUA567002A23	Fuse, 200A 660V	3				3	3									3	3	3	3		
	3AUA000004429	Fuse, 315A 690V		3	3	3			3	3												
	64690647	Fuse 400A 600V, Class T								3	3											
	64690663	Fuse 600A 600V, Class T										3	3	3								
	3AUA0000005226	Fuse 800A 600V, Class T													3	3						
4 - Circuit Breaker Mechanism	3AUA567003A59	Fuse Holder 400A 1000V 170H1007	3	3	3	3	3	3	3	3							3	3	3	3		
	3AUA0000009766	Mechanism, Circuit Breaker T4	1	1	1	1	1	1	1	1							1	1	1	1		
5 - Circuit Breaker	3AUA00000109000	Mechanism, Circuit Breaker T6									1	1	1	1	1	1						
	3AUA0000019628	Circuit Breaker 150A 25kA@480V, 3P															1	1				
	3AUA0000019629	Circuit Breaker 250A 25kA@480V, 3P	1	1			1	1	1											1	1	
	3AUA0000019630	Circuit Breaker 400A 25kA@480V, 3P			1	1				1												
	3AUA0000108996	Circuit Breaker 600A 600V, 450HP@480V									1	1	1	1								
Miscellaneous	3AUA0000108997	Circuit Breaker 800A 600V, 550HP@480V												1	1	1						
	3AUA0000015070	Cable, Cat 5 patch 90 straight 1085mm	1	1	1	1	1	1	1	1							1	1	1	1		
	3AUA0000004153	Cable, Cat 5 patch, straight, 10ft									1	1	1	1	1	1	1					
	3AUA0000015692	Panel Holder Assembly R4-R6	1	1	1	1	1	1	1	1							1	1	1	1		
	64765825	Panel Holder Assembly R8									1	1	1	1	1	1	1					
NEMA 12 (+B055) Cabinets	64691945	Interface Board	1	1	1	1	1	1	1	1	1	1	1	1	1	1	1	1	1	1	1	
	3AUA0000019997	Transformer, 500VA 380-500V/115V								1	1	1	1	1	1	1						
	3AUA648001B20	Fan ACS607, 115V/60HZ								1	1	1	1	1	1	1						
	3AUA498001B13	Capacitor, 12UF, 380V								1	1	1	1	1	1	1						
	3AUA0000004887	Air Filter 150x300mm Type 12	1		1	1	1	1	1	1							1	1	1	1		
	3AUA0000005910	Filter Clip E16T12	1		1	1	1	1	1	1							1	1	1	1		
	3AUA0000006722	Air Filter 21inx12in Type 12									2	2	2	2	2	2	2					
	3AFE61480846	Holder, Air Filter 600mm									2	2	2	2	2	2	2					
	3AUA0000006723	Air Filter 55inx15in, Type 12									1	1	1	1	1	1	1					
	3AUA0000005803	Filter, Retainer R7-8									3	3	3	3	3	3	3					

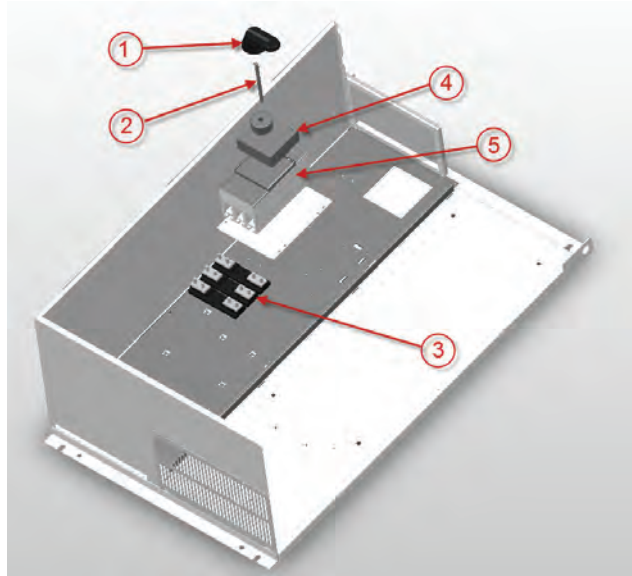
ACH550-PDR Enclosure Designation P1-P2



Item	Part Number	Description	230Vac					480Vac				
			-PDR-04A6-2	-PDR-06A6-2	-PDR-07A5-2	-PDR-012A-2	-PDR-017A-2	-PDR-03A3-4	-PDR-04A1-4	-PDR-06A9-4	-PDR-08A8-4	-PDR-012A-4
1 - Handle	3AUA0000018081	Main Switch - Handle	1	1	1	1	1	1	1	1	1	1
2 - Disconnect	3AUA0000049775	Disconnect Switch, 40A,600V, 3P	1	1	1	1	1	1	1	1	1	1
3 - Fuses	3AUA0000015604	FUSE, 15A, 600V, CLASS CC	3	3	3	3		3	3	3	3	3
	3AUA0000015605	FUSE, 30A, 600V, CLASS CC					3					
4 - Fuse Block	3AUA0000031820	Fuse Holder, 30A, 600V,3P, Comp/Faston	1	1	1	1	1	1	1	1	1	1
5 - Shaft	3AUA0000049899	SHAFT, 6MM X 112	1	1	1	1	1	1	1	1	1	1

Item	Part Number	Description	230Vac	480Vac		600Vac					
			-PDR-024A-2	-PDR-015A-4	-PDR-023A-4	-PDR-02A7-6	-PDR-03A9-6	-PDR-06A1-6	-PDR-09A0-6	-PDR-011A-6	-PDR-017A-6
1 - Handle	3AUA0000018081	Main Switch - Handle	1	1	1	1	1	1	1	1	1
2 - Disconnect	3AUA0000049775	Disconnect Switch, 40A,600V, 3P	1	1	1	1	1	1	1	1	1
3 - Fuses	3AUA0000015604	FUSE, 15A, 600V, CLASS CC				3					
	3AUA0000015605	FUSE, 30A, 600V, CLASS CC	3	3	3		3	3	3	3	3
4 - Fuse Block	3AUA0000031820	Fuse Holder, 30A, 600V,3P, Comp/Faston	1	1	1	1	1	1	1	1	1
5 - Shaft	3AUA0000049899	SHAFT, 6MM X 112	1	1	1	1	1	1	1	1	1

ACH550-PDR Frame Sizes P5-P8



Item	Part Number	Description	230Vac				480Vac								600Vac							
			-PDR-143A-2	-PDR-178A-2	-PDR-221A-2	-PDR-248A-2	-PDR-125A-4	-PDR-157A-4	-PDR-180A-4	-PDR-246A-4	-PDR-316A-4	-PDR-368A-4	-PDR-414A-4	-PDR-486A-4	-PDR-526A-4	-PDR-602A-4	-PDR-645A-4	-PDR-077A-6	-PDR-099A-6	-PDR-125A-6	-PDR-144A-6	
1 - Handle	3AUA000018081	Main Switch - Handle	1	1			1	1	1									1	1	1	1	
	3AUA0000145952	Pistol Handle, 95mm			1	1			1													
	3AUA0000158587	Pistol Handle, 175mm							1	1	1	1	1	1	1	1						
2 - Shaft	3AUA0000036027	Shaft, 6mm x 210mm	1	1			1	1	1									1	1	1	1	
	3AUA0000158637	Shaft, 10mm x 77mm			1	1			1													
	3AUA0000158588	Shaft, 10mm x 225mm								1	1	1	1	1	1	1						
3 - Fuses	64585568	3A 600V 2 ELMNT - TIME DELAY								2	2	2	2	2	2	2						
	3AUA567999Z27	Fuse, Delay, 250V 5-6/10A							1	1	1	1	1	1	1	1						
	3AUA567002A23	Fuse, 200A 660V	3				3	3														
	3AUA000004429	Fuse, 315A 690V		3	3	3			3	3												
	64690647	Fuse 400A 600V, Class T								3	3											
	64690663	Fuse 600A 600V, Class T										3	3									
	3AUA0000005226	Fuse 800A 600V, Class T												3	3	3						
4 - Disconnect Mechanism	3AUA0000009766	Mechanism, Circuit Breaker T4			1	1			1													
	3AUA0000109000	Mechanism, Circuit Breaker T6								1	1	1	1									
5 - Disconnect Switch	3AUA0000016618	Disconnect Switch, 125A 600V 60HP															1	1				
	3AUA0000019627	Disconnect Switch, 200A, 600V, 3P	1	1			1	1	1											1	1	
	3AUA0000019631	Switch, Molded Case 400A 3P T5H-D			1	1			1													
	3AUA0000109909	Switch, Molded Case 800A 3P T6H-D								1	1	1	1									
Miscellaneous	3AUA0000014729	Switch, Molded Case 800A 3P S6H-D												1	1	1						
	3AUA0000015070	Cable, Cat 5 patch 90 straight 1085mm	1	1	1	1	1	1	1	1							1	1	1	1		
	3AUA0000004153	Cable, Cat 5 patch, straight, 10ft									1	1	1	1	1	1	1	1	1	1	1	
	3AUA0000015692	Assembly Panel Holder	1	1	1	1	1	1	1	1	1	1	1	1	1	1	1	1	1	1	1	
NEMA 12 (+B055) Cabinets	64691945	Interface Board	1	1	1	1	1	1	1	1	1	1	1	1	1	1	1	1	1	1	1	
	3AUA0000019997	Transformer, 500VA 380-500V/115V								1	1	1	1	1	1	1						
	3AUA648001B20	Fan ACS607, 115V/60HZ								1	1	1	1	1	1	1						
	3AUA498001B13	Capacitor, 12UF, 380V								1	1	1	1	1	1	1						
	3AUA0000004887	Air Filter 150x300mm Type 12	1	1	1	1	1	1	1	1							1	1	1	1		
	3AUA0000005910	Filter Clip E16T12	1	1	1	1	1	1	1	1							1	1	1	1		
	3AUA0000006722	Air Filter 21inx12in Type 12									2	2	2	2	2	2	2					
	3AFE61480846	Holder, Air Filter 600mm									2	2	2	2	2	2	2					
	3AUA0000006723	Air Filter 55inx15in, Type 12									1	1	1	1	1	1	1					
	3AUA0000005803	Filter, Retainer R7-8									3	3	3	3	3	3	3					

По вопросам продаж и поддержки обращайтесь:

Самары (7273)495-231
Ангарск (3955)60-70-56
Архангельск (8182)63-90-72
Астрахань (8512)99-46-04
Барнаул (3852)73-04-60
Белгород (4722)40-23-64
Благовещенск (4162)22-76-07
Брянск (4832)59-03-52
Владивосток (423)249-28-31
Владикавказ (8672)28-90-48
Владимир (4922)49-43-18
Волгоград (844)278-03-48
Вологда (8172)26-41-59
Воронеж (473)204-51-73
Екатеринбург (343)384-55-89
Иваново (4932)77-34-06
Ижевск (3412)26-03-58
Иркутск (395)279-98-46
Казань (843)206-01-48

Калининград (4012)72-03-81
Калуга (4842)92-23-67
Кемерово (3842)65-04-62
Киров (8332)68-02-04
Коломна (4966)23-41-49
Кострома (4942)77-07-48
Краснодар (861)203-40-90
Красноярск (391)204-63-61
Курган (3522)50-90-47
Курск (4712)77-13-04
Липецк (4742)52-20-81
Магнитогорск (3519)55-03-13
Москва (495)268-04-70
Мурманск (8152)59-64-93
Набережные Челны (8552)20-53-41
Нижний Новгород (831)429-08-12
Новокузнецк (3843)20-46-81
Новосибирск (383)227-86-73
Ноябрьск (3496)41-32-12

Омск (3812)21-46-40
Орел (4862)44-53-42
Оренбург (3532)37-68-04
Пенза (8412)22-31-16
Пермь (342)205-81-47
Петрозаводск (8142)55-98-37
Псков (8112)59-10-37
Ростов-на-Дону (863)308-18-15
Рязань (4912)46-61-64
Самара (846)206-03-16
Санкт-Петербург (812)309-46-40
Саранск (8342)22-96-24
Саратов (845)249-38-78
Севастополь (8692)22-31-93
Симферополь (3652)67-13-56
Смоленск (4812)29-41-54
Сочи (862)225-72-31
Ставрополь (8652)20-65-13
Сургут (3462)77-98-35

Сыктывкар (8212)25-95-17
Тамбов (4752)50-40-97
Тверь (4822)63-31-35
Тольятти (8482)63-91-07
Томск (3822)98-41-53
Тула (4872)33-79-87
Тюмень (3452)66-21-18
Улан-Удэ (3012)59-97-51
Ульяновск (8422)24-23-59
Уфа (347)229-48-12
Хабаровск (4212)92-98-04
Чебоксары (8352)28-53-07
Челябинск (351)202-03-61
Череповец (8202)49-02-64
Чита (3022)38-34-83
Якутск (4112)23-90-97
Ярославль (4852)69-52-93

Россия +7(495)268-04-70

Казахстан +7(7172)727-132

Киргизия +996(312)96-26-47

<https://abbdrives.nt-rt.ru/> || aei@nt-rt.ru